



Bimini Dimension Fill-In Form

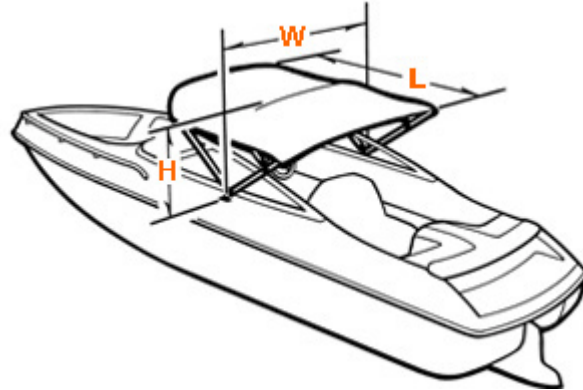
Name: _____

Phone: _____

Boat Make: _____

Boat Model: _____

Boat Year: _____



Step #1 → Select Bimini Length (L) - Determine the amount of coverage you would like from your bimini top from front to rear. The length options are 96" & 72" for regular boats, 66" for small fishing boats and 60" for tournament ski boats.	Enter Dimension Here ↓

Step #2 → Select Bimini Height (H) - Select a point on each side of your boat that will be the middle of the bimini top based on the desired length selected in step #1. From these mounting points, measure straight up to the desired height of your bimini. Remember that the measurement you select is from the mounting points to the top of the bimini, not from the floor to the top of the bimini.	Enter Dimension Here ↓

Step #3 → Select Bimini Width (W) - Measure the distance between the two mounting points that you selected in step #2.	Enter Dimension Here ↓

Once you have determined the dimensions that are best for you and your boat, simply log back onto www.coverquest.com and enter dimensions in the bimini top process. You can also fax or e-mail this form to our customer service department and they will review it and get back to you with options for your new bimini top during our normal business hours.

- Call the Coverquest customer service department toll free at: **(888) 726-9300**
- Customer Service Hours:
Monday through Friday / 8:00 am - 4:00 pm / Pacific Standard Time
- Fax our customer service department anytime at: **(951) 698-3859**
- E-mail our customer service department anytime at: **customerservice@coverquest.com**