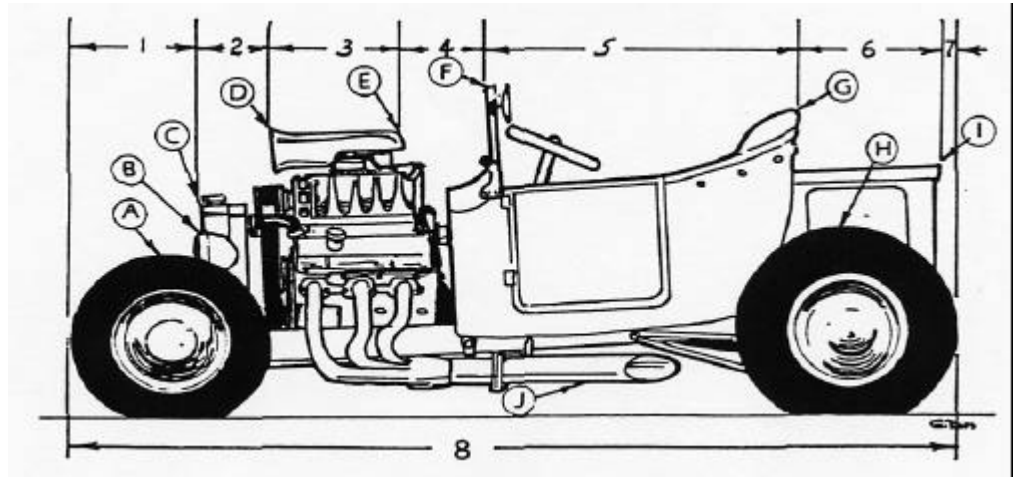




1923 Ford  
"T" Bucket  
Roadster,  
no top,  
with blower



- Lengths - Measured Horizontally**
- # 1 Front of car to front of hood \_\_\_\_\_
  - # 2 Front of hood to front of hood scoop \_\_\_\_\_
  - # 3 Front of hood scoop to rear of scoop \_\_\_\_\_
  - # 4 Rear of hood scoop to top of windshield \_\_\_\_\_
  - # 5 Front of windshield to rear of seat \_\_\_\_\_
  - # 6 Rear of seatback to rear of box \_\_\_\_\_
  - # 7 Rear of box to rear of tire \_\_\_\_\_
  - # 8 Overall length, front to rear \_\_\_\_\_
- If you have measured correctly, the sum of # 1 through # 7 should equal # 8.**

- Heights - Measured from Ground**
- HA Height of front tire \_\_\_\_\_
  - HB Height at top of headlights \_\_\_\_\_
  - HC Height at front of hood \_\_\_\_\_
  - HD Height at front of scoop \_\_\_\_\_
  - HE Height at rear of scoop \_\_\_\_\_
  - HF Height at top of windshield \_\_\_\_\_
  - HG Height at top of seat backrest \_\_\_\_\_
  - HH Height at top of rear tire \_\_\_\_\_
  - HI Height at rear of box \_\_\_\_\_
  - HJ Road Clearance \_\_\_\_\_

**Widths, Measured Side to Side at Points Shown**

- WA Width of car at front fender \_\_\_\_\_
- WB Width across front hood \_\_\_\_\_
- WC Width of scoop at front \_\_\_\_\_
- WD Width of scoop at rear \_\_\_\_\_
- WE Width of roof at front \_\_\_\_\_
- WF Width of roof at highpoint \_\_\_\_\_
- WG Width of roof at rear \_\_\_\_\_
- WH Width of car across fenders \_\_\_\_\_
- WI Width of box at rear \_\_\_\_\_
- WJ Width of car at rear fenders \_\_\_\_\_

**Vehicle Information**

A photo of the vehicle will help us make the pattern. The photo can be returned if requested.

MAKE \_\_\_\_\_

MODEL \_\_\_\_\_

YEAR \_\_\_\_\_

NAME \_\_\_\_\_

Daytime phone \_\_\_\_\_

Date of order \_\_\_\_\_